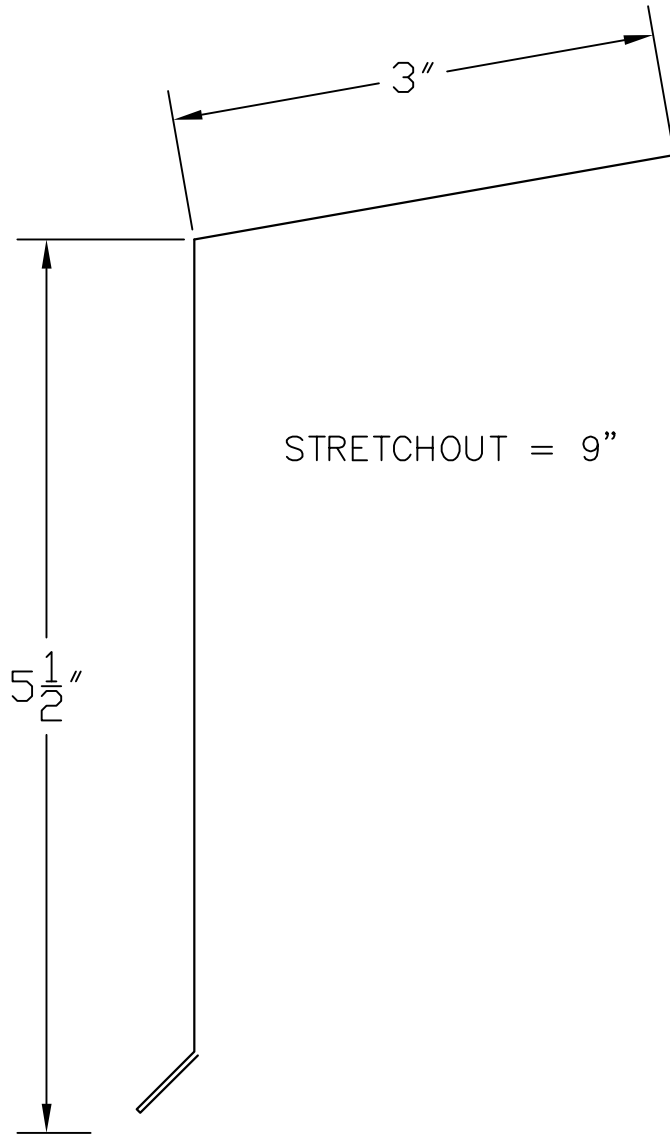
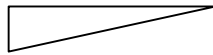


ROOF SLOPE



STRETCHOUT = 9"

5 1/2"

3"

EAVE W/ DRIP
ET2



Nash BUILDING SYSTEMS, INC.			
JOB	CHECKED BY	DATE	DRAWING